



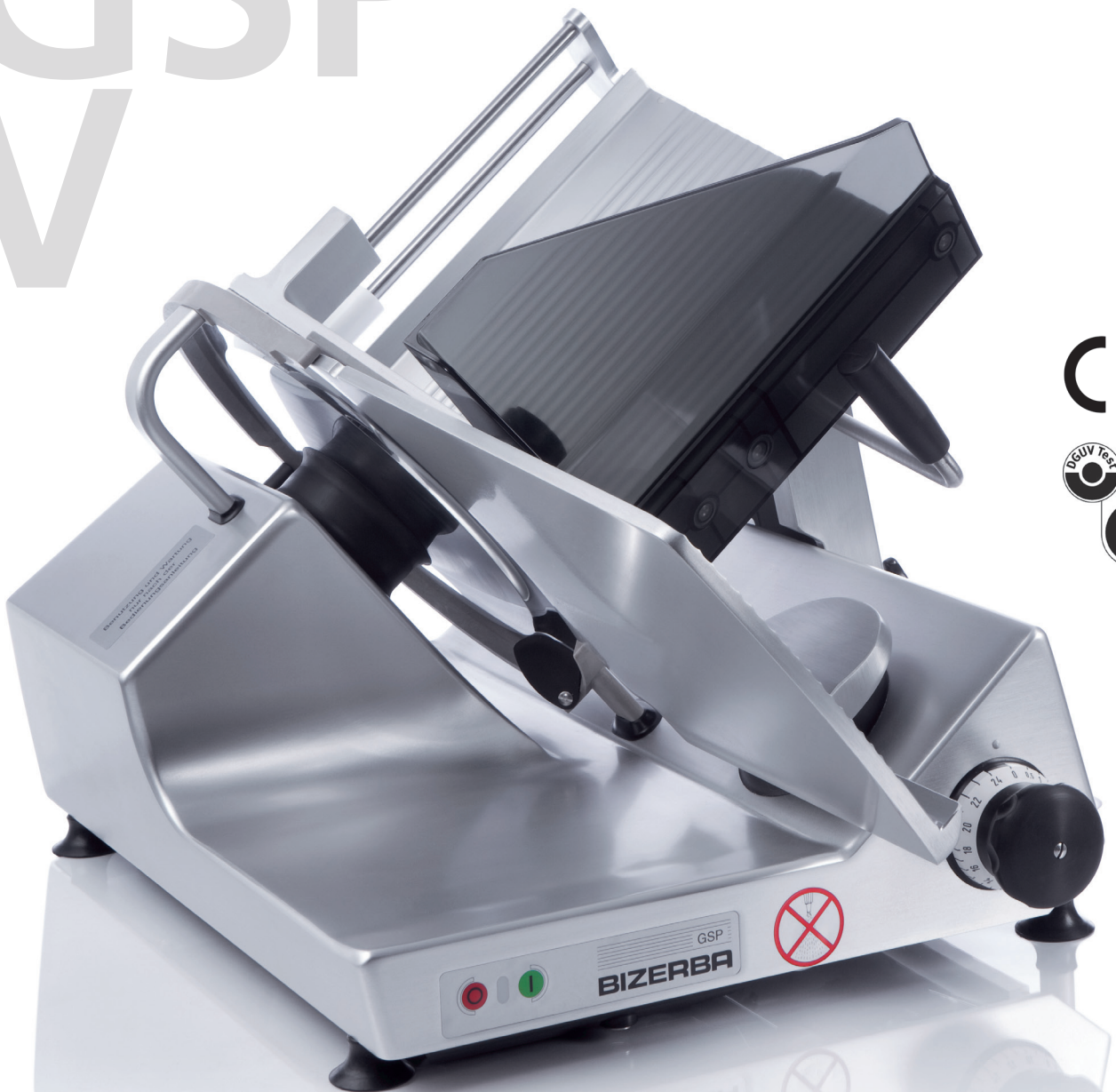
BIZERBA

... closer to your business

Its hygiene is irreproachable ...

... Manual safety slicing machines GSP V Series

GSP
V



GSP V

- High-quality grooved anodised aluminium carriage
- Transparent finger protection for a clear view during slicing
- Fewer corners, edges and large radii make cleaning fast and easy
- Optimally sealed against water and dirt
- Large, robust remnant holder
- Unique design ensures minimal end-pieces and maximum product yield
- Removable, dishwasher-proof sharpener for greater safety and hygiene
- Large finger protection for maximum safety
- All-round blade protection during cleaning
- Juices are channelled to drain
- Ergonomic control knob for adjusting slicing thickness with fine adjustment between 0-3 mm

Single-phase alternating current

- Voltage: 230 V
- Frequency: 50 Hz
- Input current: 1.79 A
- Power input: 0.36 kW

Blade radius

- 330 mm

Blade speed

- 255 revs/pm

Max. product size

- Round: 228 mm
- High: 160 mm
- Wide: 290 mm

Slicing thickness

- Continuously adjustable 0 to 24 mm

Footprint: L1 x W1

- 532 x 478 mm

Outer dimensions: L x W x H

- 725 x 570 x 540 mm

Working area: L2 x W2

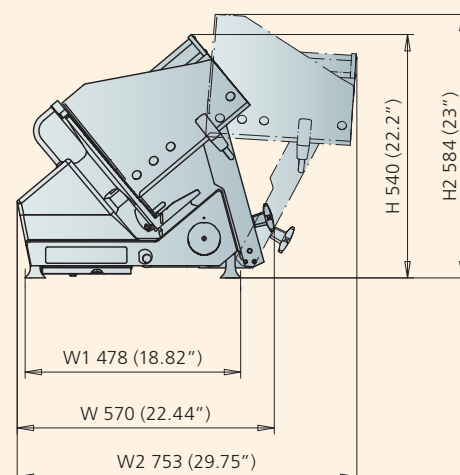
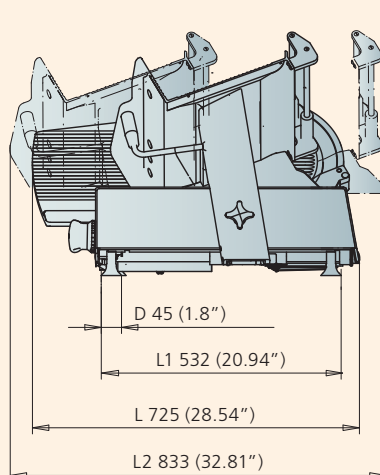
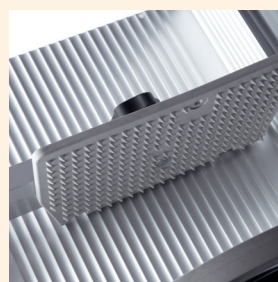
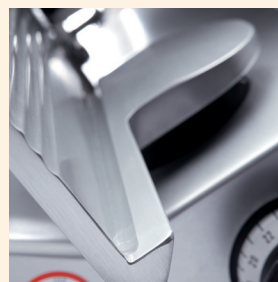
- 833 x 753 mm

Safety class

- IP 33

Weight

- 50 kg



Members of the Bizerba Group

Bizerba GmbH & Co. KG
 Wilhelm-Kraut-Straße 65
 72336 Balingen
 Germany
 Tel. +49 7433 12-0
 Fax +49 7433 12-2696
 marketing@bizerba.com
 www.bizerba.com

Bizerba (U.K.) Limited
 Bizerba House
 Eastman Centre
 Eastman Way
 Hemel Hempstead
 Herts HP 2 7 DU
 U.K.
 Tel. +44 1442 24-0751
 Fax +44 1442 2313-28
 sales@bizerba.co.uk

Bizerba USA Inc.
 31 Gordon Road
 Piscataway
 New Jersey 08854
 USA
 Tel. Office +1 732 565-6000
 Tel. Service +1 732 565-6001
 Fax +1 732 819-0429
 us.info@bizerba.com
 www.bizerbausa.com

Bizerba Canada Inc.
 2810 Argentinia Road #9
 Mississauga,
 Ontario L5N 8L2
 Canada
 Tel. +1 905 816-0498
 Fax +1 905 816-0497
 ca.info@bizerba.com
 www.bizerba.ca

Bizerba South East Asia Pte.
 Ltd.
 1 Fifth Avenue #02-05
 Guthrie House
 Singapore 268802
 Singapore
 Tel. +65 6465-1900
 Fax +65 6468-0481
 bizerba@bizerba-sea.com
 www.bizerba-sea.com